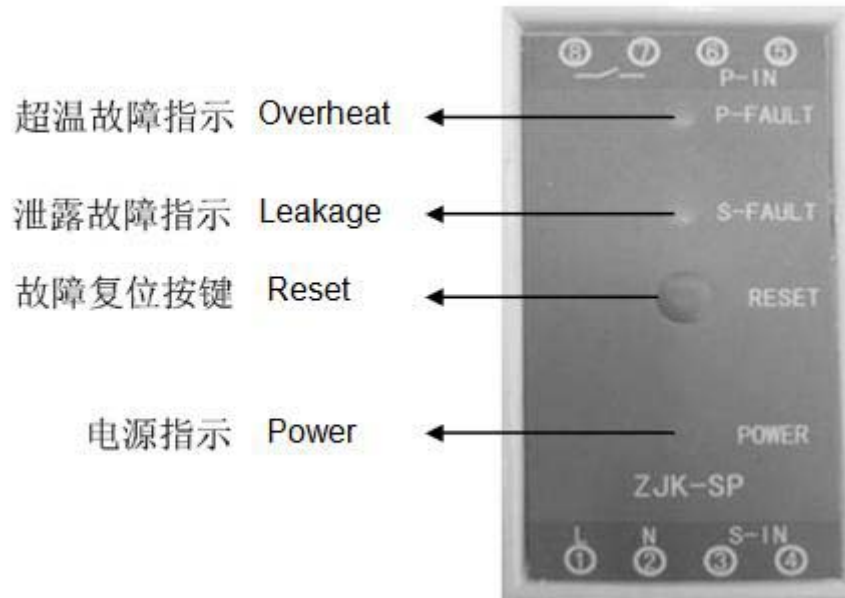


新型漏水继电器

New Leak Relay



概述：

潜水泵漏水保护继电器又称小型综合保护器是专门用于检测潜水泵内水灵敏度的电阻及电机温度信号。传感器使用电极传感器，当泵体内出现漏水情况时或温度不正常时，控制继电器会发出相应的控制信号，以便工作人员对水泵漏水进行处理。控制器在线路设计上采取了一系列的抗干扰措施，可以在电磁干扰十分严重的环境中可靠工作。

功能：

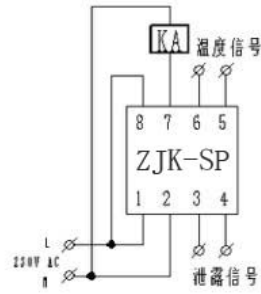
继电器用于检测潜水泵内水灵敏度的电阻及绕组温度信号（PTC 或温度开关）。当检测到潜水泵内水灵敏度的电阻低于给定值时，继电器动作；在断电检查排除故障重新通电后继电器继续恢复工作，当检测到温度信号为开点信号或电阻很大时报警，同时继电器动作。

正常时，故障信号输出为常闭信号（注意：标配为常闭，常开信号需定制），当电源断开或输入信号故障时，常闭信号变为常开信号。

可以分别显示报警类型，同时可以手动复位故障。

水灵敏度电阻根据标准设定，用户有特殊需要可以提前联系。

本继电器电路简单，体积小，重量轻，耗电小，稳定性高，而且采用电子管插入式结构，维修方便。



安装端子如下：

1、2	3、4	5、6	7、8
L、N	水泵泄露 信号	水泵温度 信号	常闭输出 (故障时断开)
220V电源	输入信号	输入信号	

技术参数：

电源	
工作电压：	220VAC
频率：	50HZ
功耗：	≤ AC 2W
基本信息	
尺寸：	48*80*120 (mm)
重量：	0.3kg
测量电路	
类型：	PTC和水敏电阻
传感器数量：	2个
输出	
输出触点	二组触点转换
触点容量	5A/AC220V 5A/30VDC

Description:

The submersible pump leakage protection relay, also known as small integrated protection is designed for detecting water sensitivity resistance and motor temperature signal. The sensor is electrode sensor, When the pump body leaks or temperature is not normal, relays will issue a corresponding signal, so that the staff can process the pump leakage. The controller has taken a series of anti-jamming measures on the circuit design, can work reliably in grave electromagnetic interference environment.

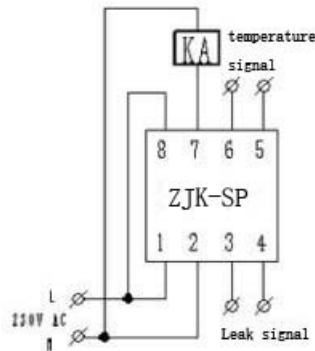
Function:

The relay is used to detect the water sensitivity resistance and winding temperature signal (PTC or temperature switch) of submersible pumps. When the detection resistance is lower than the given value, the relay act; please turn off the power to exclude the fault ,then power on relay continue to work, when the temperature signal is open or the resistance is very large, it will alarm while relay act. Normal, the fault signal is closed; it's open when power off or the input signal fault.

Show the alarm type, you can reset the fault manually.

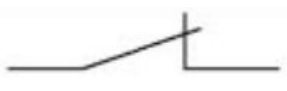
The water sensitivity resistance is set according to standard. Users with special needs can contact in advance.

The relay has the following advantages: simple circuit, small size, light weight, small power consumption, high stability, and using plug-in structure which is easy for maintenance.



Installation

Terminals as follows:

1、 2	3、 4	5、 6	7、 8
L、 N	Leak signal	Temperature signal	Normally closed output (Disconnect when failure)
220V POWER	Input signal	Input signal	

Technical data:

Main supply	
Operating voltage:	220VAC
Frequency:	50HZ
Power consumption:	≤AC 2W
General information	
Dimensions:	48*80*120 (mm)
Weight:	0.3KG
Measuring circuit	
Type:	PTC and Water sensitivity resistance
Number of sensor:	2 PC
Output	
Output contacts:	2 voltage less change over contacts
Switching capacity:	5A/220V 5A/30VDC